



## Historic Stock Car Rule Update

Spedeworth / Incarace would like to make all Historic Stock Car drivers aware of the following rule changes:-

- **All cars must have a window net fitted to the drivers door window aperture. The window net must be from the 'B' post to the middle of the steering wheel as a minimum requirement.**
- **Roll Cage:- Rear support bars are now compulsory. If no leaning cross you will need two rear roll cage supports (Fig 1). If you have a leaning cross in the rear of the roll cage you only need one offside rear roll cage support (Fig 2.).**

Fig 1.

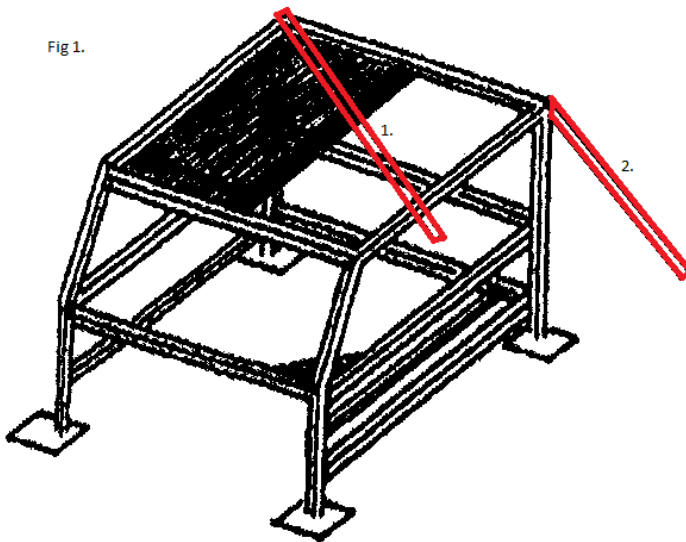
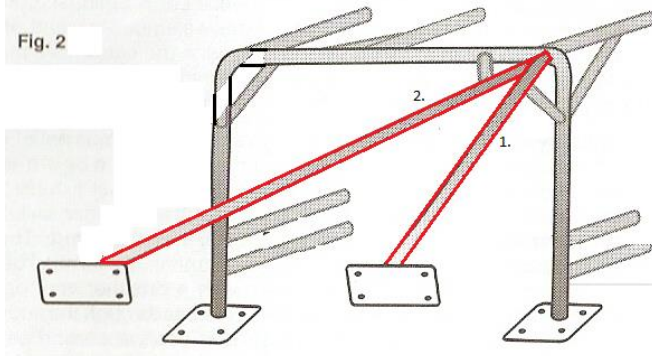


Fig. 2



***These rules come into effect immediately (Thursday 11<sup>th</sup> January 2018).*** We apologise for the short notice of these immediate rule changes but these rules have to come into effect to conform with all other Stock Car ORCi regulations.